

IR Quattro MICRO 6m

COM1 - white
 EAN 4007841 053789
 Article number 053789



Infrarot-Sensor 360°



Max. 4 x 4 m Präsenz

1000 W

1000 W max. (LED-fähig)



IP65



2 - 1000 Lux



5 Sek - 60 Min

5 years

Herstellergarantie
 steinel-professional.de/
 garantie



CE



VDE

Function description

Small sensor. Great performance. The IR Quattro MICRO meets the wish of many architects and planners for a sensor that's as inconspicuous as possible. It impresses with its compact size after installation, low overall height and a micro precision lens (15 x 15 mm). At the same time, the small 360° infrared presence puts on a great performance, covering 36 m². IP65 certification also makes it suitable for rooms exposed to moisture.

Technical specifications

| | | | |
|----------------------------|--|---|--------------------------------|
| Dimensions (Ø x H) | 43 x 75 mm | LED lamps > 2 W < 8 W | 300 W |
| With motion detector | Yes | LED lamps > 8 W | 600 W |
| Manufacturer's Warranty | 5 years | Capacitive load in µF | 176 µF |
| Settings via | Remote control, Smart Remote | Power consumption | 0,5 W |
| With remote control | No | Technology, sensors | passive infrared, Light sensor |
| Version | COM1 - white | Mounting height | 2,50 – 4,00 m |
| PU1, EAN | 4007841053789 | Mounting height max. | 4,00 m |
| Type | Presence detector | Optimum mounting height | 2,8 m |
| Application, place | Indoors | Detection angle | 360 ° |
| Application, room | one-person office, hotel room, care room, function room / ancillary room, WC / washroom, Indoors | Angle of aperture | 90 ° |
| Colour | white | Sneak-by guard | Yes |
| Colour, RAL | 9003 | Capability of masking out individual segments | No |
| Includes corner wall mount | No | Electronic scalability | No |
| Installation site | ceiling | Mechanical scalability | No |
| Installation | In-ceiling installation, Ceiling | Reach, radial | 4 x 4 m (16 m ²) |
| IP-rating | IP65 | Reach, tangential | 6 x 6 m (36 m ²) |

IR Quattro MICRO 6m

COM1 - white
 EAN 4007841 053789
 Article number 053789



Technical specifications

| | |
|--|--------------------------|
| Ambient temperature | -25 – 55 °C |
| Material | Plastic |
| Mains power supply | 220 – 240 V / 50 – 60 Hz |
| Switching output 1, resistive | 1000 W |
| Switching output 1, number of LEDs / fluorescent lamps | 8 pcs. |
| Switching output 1, floating | No |
| Fluorescent lamps, electronic ballast | 500 W |
| Fluorescent lamps, uncorrected | 400 VA |
| Fluorescent lamps, series-corrected | 400 VA |
| Fluorescent lamps, parallel-corrected | 400 VA |
| Switching output 1, low-voltage halogen lamps | 1000 VA |
| LED lamps < 2 W | 100 W |

| | |
|----------------------------|---|
| Reach, presence | 4 x 4 m (16 m ²) |
| Switching zones | 168 switching zones |
| Functions | Normal / test mode, Semi-/fully automatic, Manual ON / ON-OFF |
| Twilight setting | 2 – 1000 lx |
| Time setting | 5 s – 60 Min. |
| Basic light level function | No |
| Main light adjustable | No |
| Twilight setting TEACH | Yes |
| Constant-lighting control | No |
| Interconnection | Yes |
| Type of interconnection | Master/master, Master/slave |
| Interconnection via | Cable |

Accessories

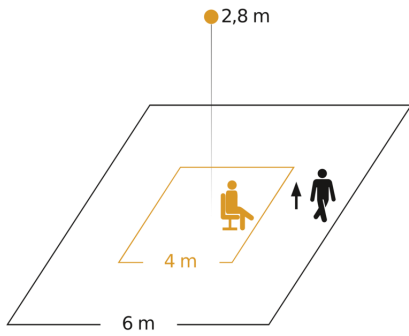
| | |
|--------------------|-----------------------------|
| EAN 4007841 009151 | Remote control Smart Remote |
| EAN 4007841 592806 | User remote control RC5 |
| EAN 4007841 559410 | Service remote control RC8 |

IR Quattro MICRO 6m

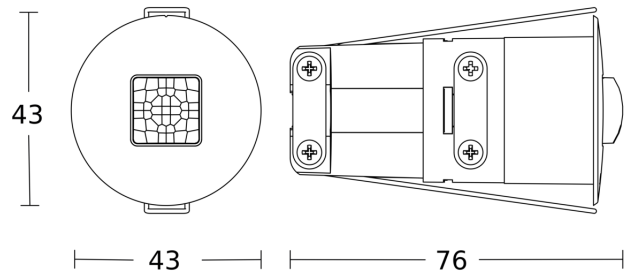
COM1 - white
EAN 4007841 053789
Article number 053789



Detection Zone

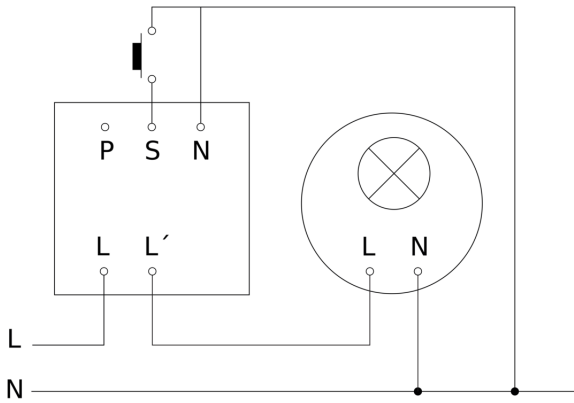


Dimension Drawing



Possible mounting height: 2,50 m - 4,00 m
Orange: presence
Black: tangential

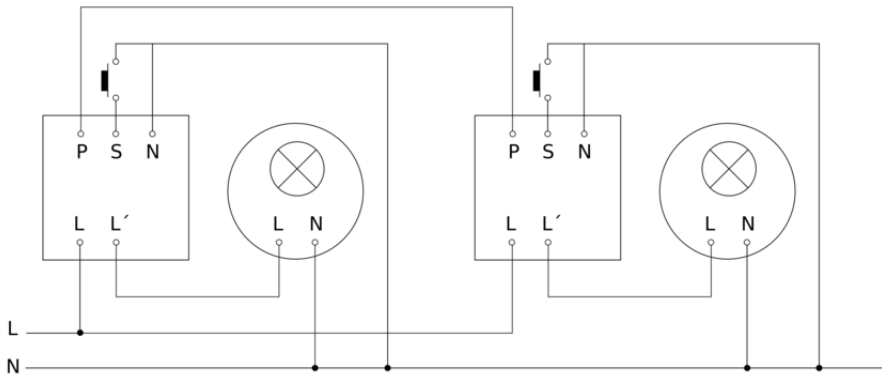
Master circuit diagram



IR Quattro MICRO 6m

COM1 - white
EAN 4007841 053789
Article number 053789

Master/master interconnection circuit diagram



Master/slave interconnection circuit diagram

